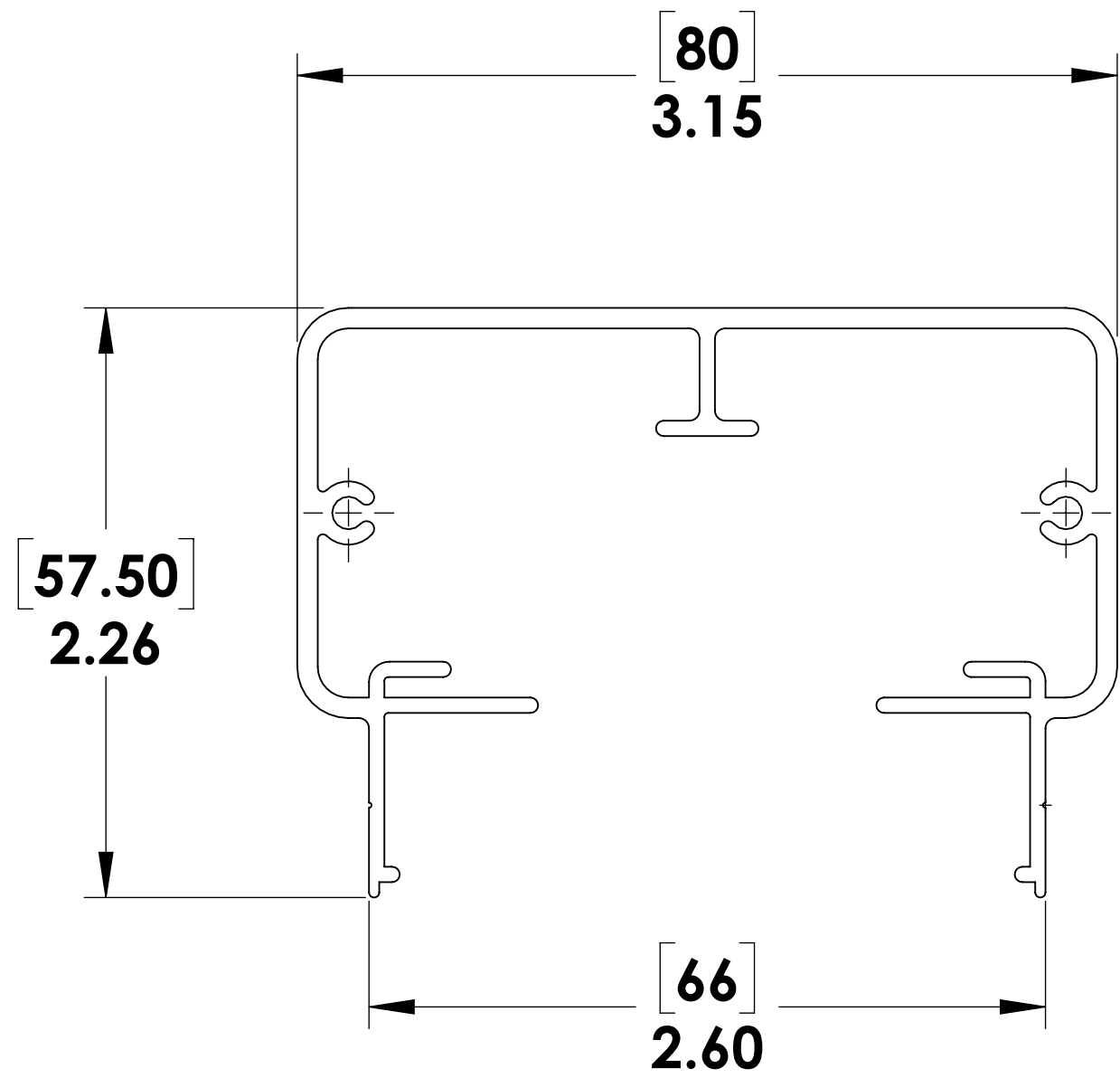


4

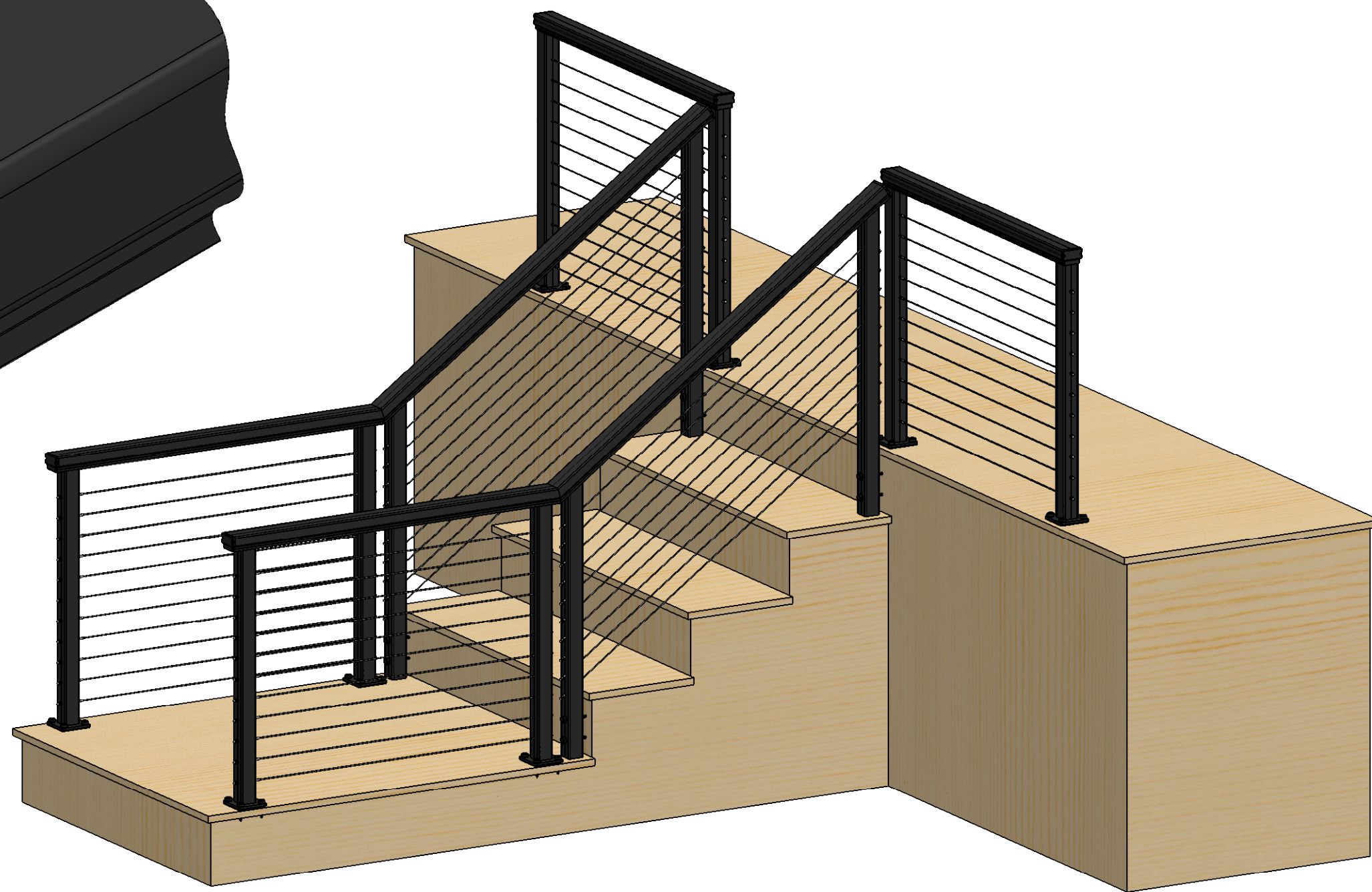
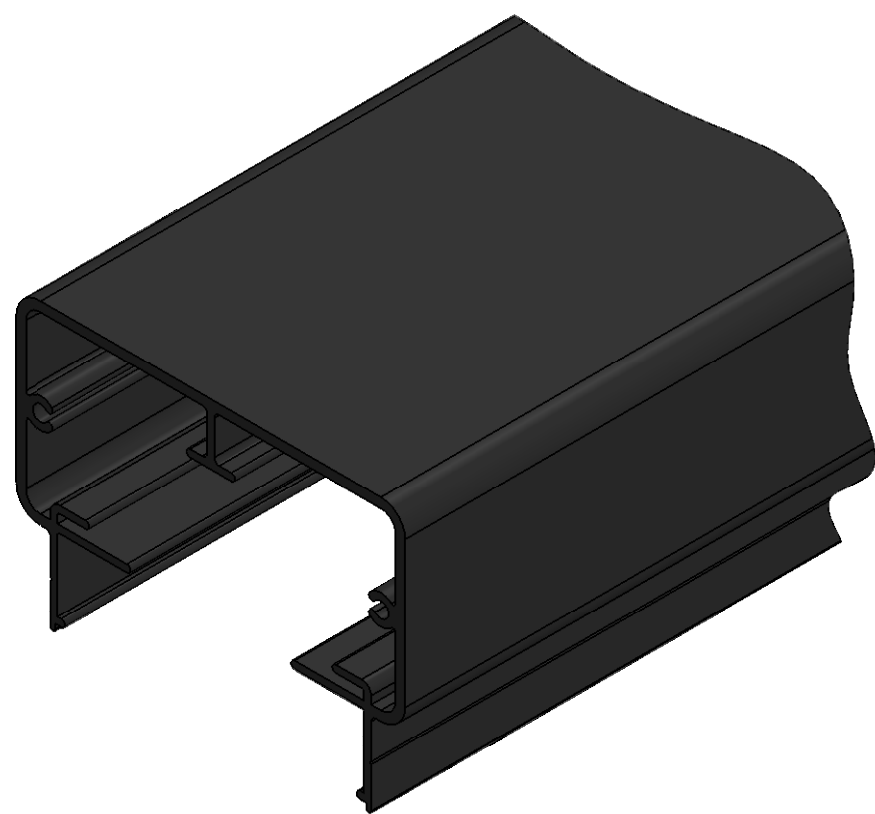
3

2

1

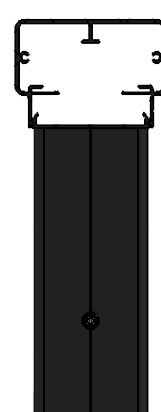


729998

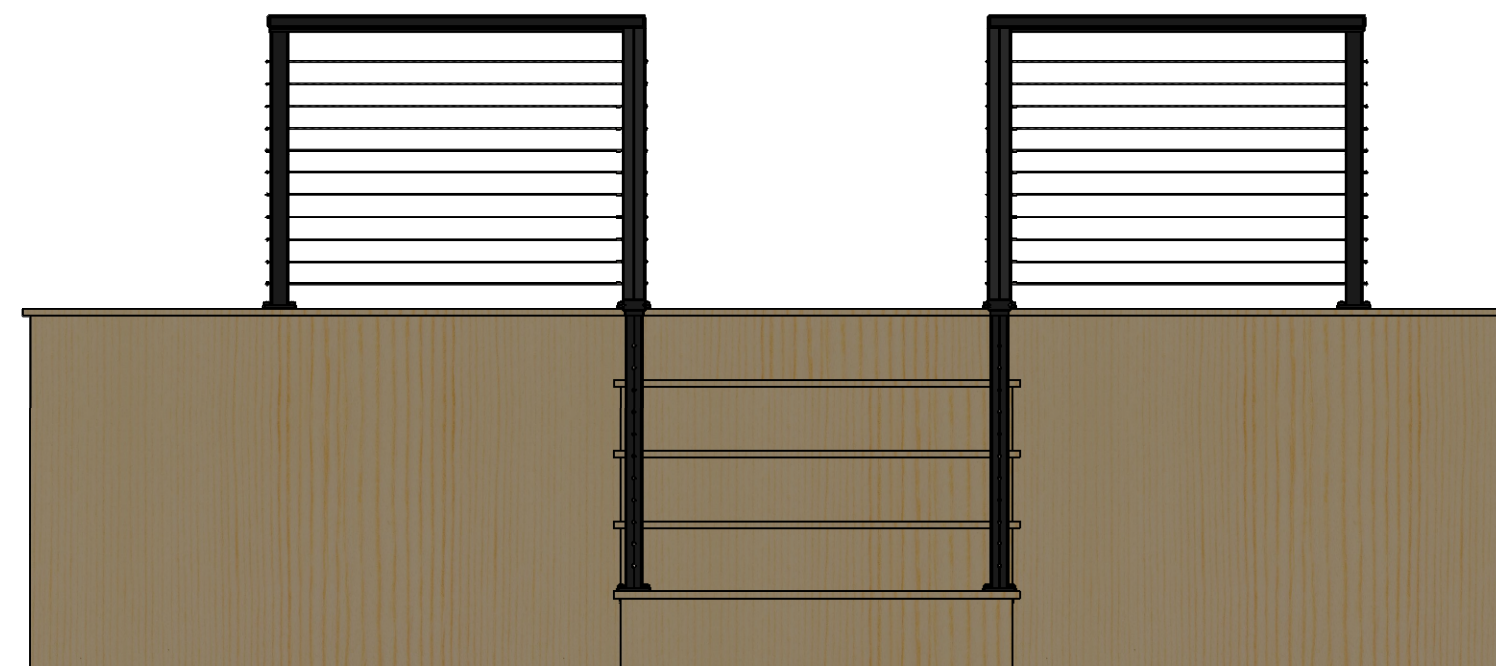
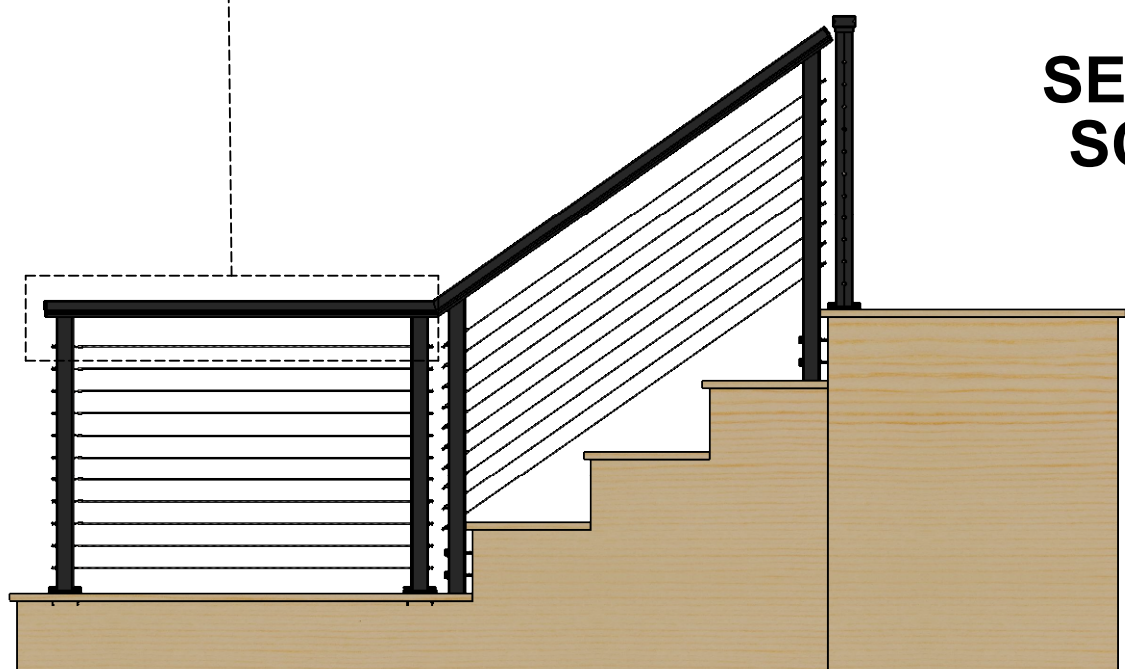
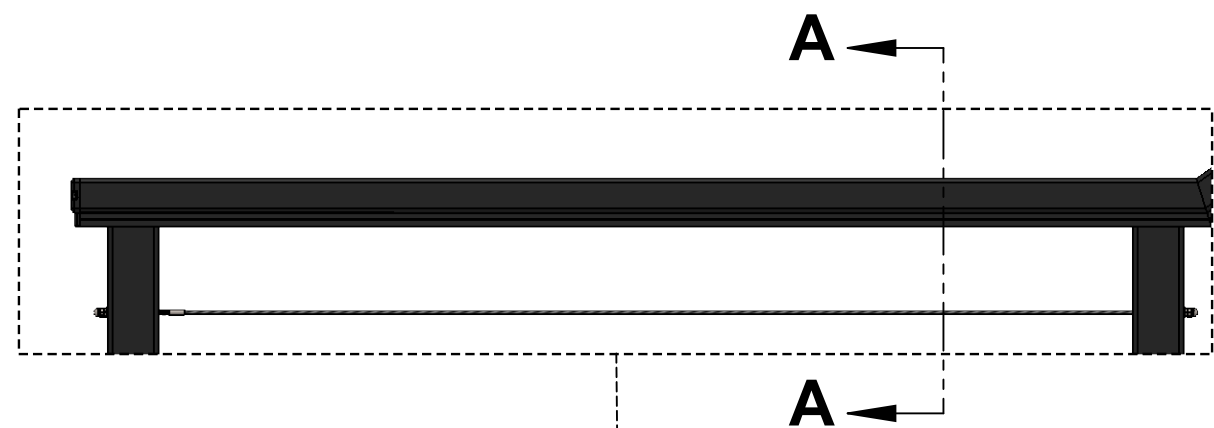


ASSEMBLY

729998



SECTION A-A
SCALE 1 : 4



PROPRIETARY AND CONFIDENTIAL

THE INFORMATION CONTAINED IN THIS DRAWING IS THE SOLE PROPERTY OF STAINLESS CABLE AND RAILING. ANY REPRODUCTION IN PART OR AS A WHOLE WITHOUT THE WRITTEN PERMISSION OF STAINLESS CABLE AND RAILING IS PROHIBITED.

NOTES: UNLESS OTHERWISE SPECIFIED	
1. DUAL DIMENSIONS SHOWN - INCHES (MM).	DIMENSIONS ARE IN INCHES
2. MACHINED SURFACES TO BE 63µIN MAX.	FRACTIONAL ±
3. PART TO BE FREE OF BURRS AND SHARP EDGES.	ANGULAR: MACH ±
4. ALL MATERIAL TO BE CLEAN, DEGREASED AND FREE OF ALL IMPURITIES.	TWO PLACE DECIMAL ±
5. ANY CHANGE MUST BE AUTHORIZED BY AN SC&R ENGINEER.	THREE PLACE DECIMAL ±
MATERIAL	6082 T6 ALU
FINISH	POWDERCOAT 6MIL MIN.

NAME	DATE
SCR	10/23/17
ENG APPR.	
MFG APPR.	

COMMENTS:

POWDERCOATING TO MEET OR EXCEED AAMA2604 SALT SPRAY RESISTANCE

TITLE:	
RECTANGULAR TOP RAIL	
SIZE	DWG. NO.
C	729998
SCALE: 3:2	WEIGHT:
REV	SHEET 1 OF 1
01	

4

3

2

1